



AdaptaBeacon® Flashing Light

PLC Compatible

50 Series

FEATURES

- > Weatherproof
- > 40 Watt Halogen lamp in 120V AC model; 20 Watt Halogen Lamp in 24V AC model
- > Cast base can be utilized as a junction box

AGENCY APPROVALS

- > UL 1638 Listed
- > cUL Listed

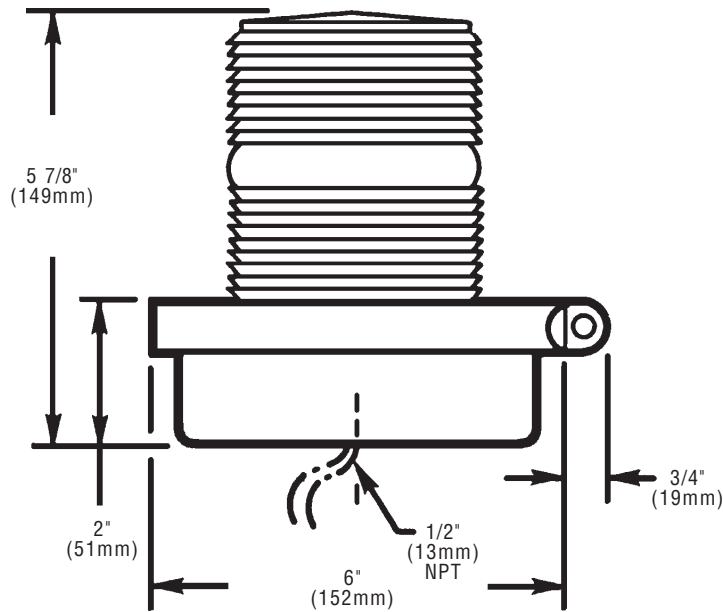
The Edwards 50 Series AdaptaBeacon flashing lights are designed to provide a bright visual indication utilizing special optics within a shatter resistant polycarbonate lens. The polycarbonate double fresnel lens ensures efficient light dispersion. This is accomplished with a series of complementing fresnels that cause the dome to "fill" when the light is operating. Beam distance is also increased with fresnel lenses. Lenses are available in six colors: red, amber, blue, green, magenta, and clear.

Designed for indoor or outdoor installation. May be direct, 1/2" (13mm) conduit, or box mounted on a 4" (102mm) octagon box. For weatherproof installation, units must be mounted vertically with lens facing up. May be corner mounted using the Cat.No. CBR, corner mount bracket, or wall mounted using the Cat.No. WBR, wall mount bracket. For additional protection against breakage use Cat.No. 92-GRD lens guard. See Adaptabeacon Accessories, page 3-118.

Edwards flashing lights are particularly effective in high noise level areas, especially where ear protection must be worn and audible signals may not be heard or understood. They can advise personnel in manufacturing and process areas when an operation is starting or stopping. Often used to signal malfunctions in equipment, such as assembly line jams. Can warn personnel that they are entering a restricted area or an area of high danger.



TECHNICAL INFORMATION



| Cat. No. | Lens Color | Replacement Lens | Lamp Ratings | Replacement Flasher | Electrical Ratings | Replacement Lamp |
|-------------|------------|------------------|------------------|---------------------|--------------------|--------------------|
| 50R-N5-40WH | Red | 92-LR | 40 watts | P-041917-0026 | 120V 50/60 Hz | 50LMP-40WH |
| 50A-N5-40WH | Amber | 92-LA | 265 lumens* | | 0.30 Amps | |
| 50B-N5-40WH | Blue | 92-LB | 3328 candlepower | | | |
| 50G-N5-40WH | Green | 92-LG | 25,000 hours** | | | |
| 50M-N5-40WH | Magenta | 92-LM | | | | |
| 50C-N5-40WH | Clear | 92-LC | | | | |
| 50R-R5 | Red | 92-LR | 25 watts | P-041917-0038 | 240V 50/60 Hz | P-041917-0039 |
| 50A-R5 | Amber | 92-LA | 232 lumens* | | 0.10 Amps | Industry Trade No. |
| 50B-R5 | Blue | 92-LB | 2914 candlepower | | | 25T8/240V/DC/CL |
| 50G-R5 | Green | 92-LG | 120 hours** | | | |
| 50M-R5 | Magenta | 92-LM | | | | |
| 50C-R5 | Clear | 92-LC | | | | |
| 50R-G5-20WH | Red | 92-LR | 20 watts | P-041917-0029 | 24V 50/60 Hz | 50LMP-20WH |
| 50A-G5-20WH | Amber | 92-LA | 226 lumens* | | 0.80 Amps | or |
| 50B-G5-20WH | Blue | 92-LB | 2839 candlepower | | | Industry Trade |
| 50G-G5-20WH | Green | 92-LG | 25,000 hours** | | | No. 1692 |
| 50M-G5-20WH | Magenta | 92-LM | | | | |
| 50C-G5-20WH | Clear | 92-LC | | | | |

*Bulb manufacturer's lumen rating

**Projected lamp life based on manufacturer's calculated long life at 65 FPM and 50% duty cycle.

SIGNAL INPUT LOAD CHARACTERISTICS*

| Cat. No. | Operating Voltage | Max. off state leakage current (mA) | Continuous on Current (mA) | Surge (inrush/duration) Amps/milliseconds |
|--------------|-------------------|-------------------------------------|----------------------------|---|
| 50()-N5-40WH | 120V AC 60 Hz | 25 | 300 | 2/8 |

*This device is PLC compatible and may be operated by PLCs with output characteristics that match the input load requirements of this signal.